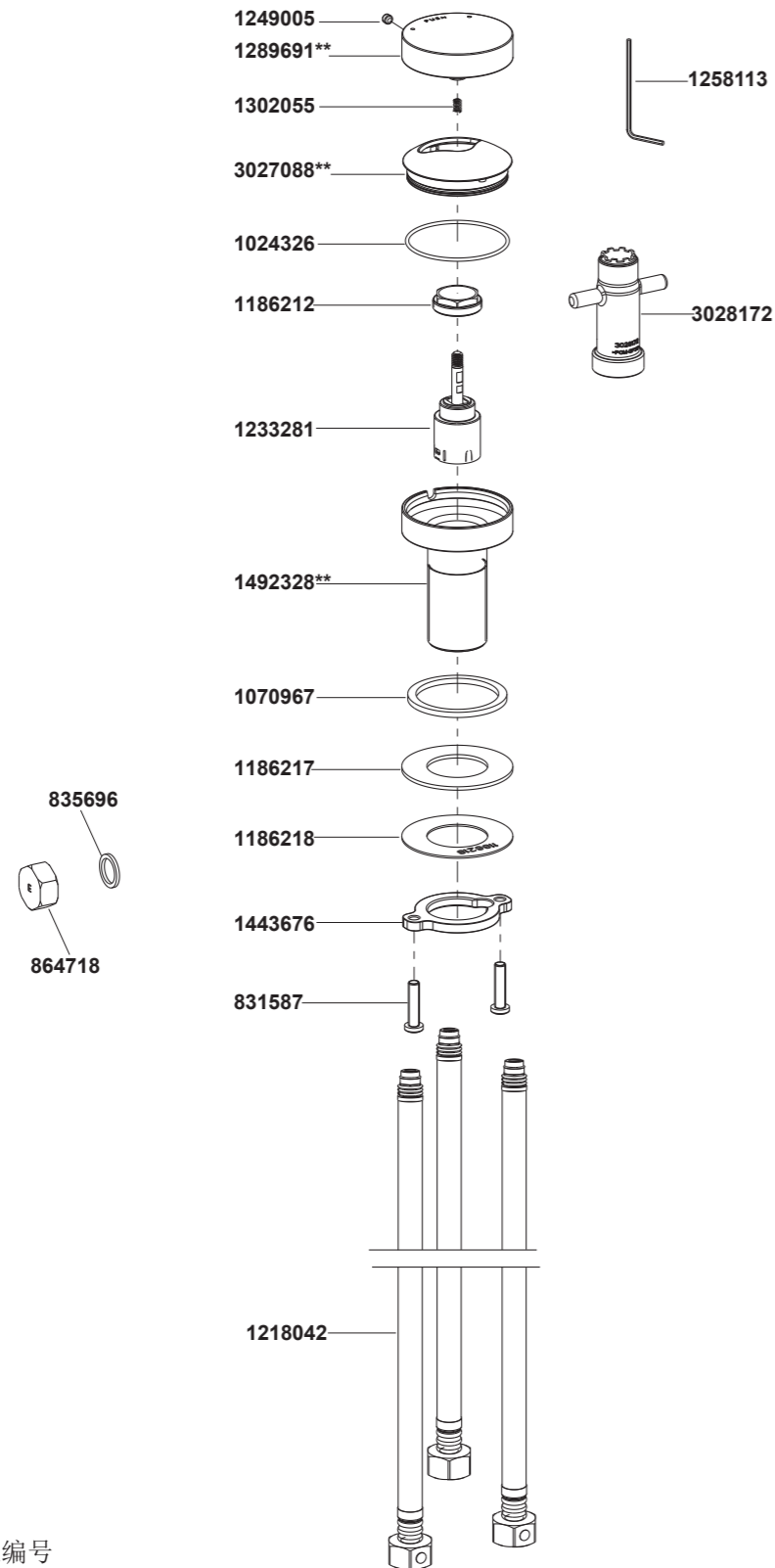


**77963T-8A 推控式圆形把手**



\*\*订购时请说明颜色编号  
\*\*Color code must be specified when ordering

77965T		8寸脸盆龙头-曲管型高出水嘴
77966T		8寸脸盆龙头-曲线型高出水嘴
23887T		8寸脸盆龙头-直杆型高出水嘴
77967T	77967T-MU	8寸脸盆龙头-曲管型出水嘴
77968T	77968T-MU	8寸脸盆龙头-曲线型出水嘴
77969T	77969T-MU	8寸脸盆龙头-直杆型出水嘴
77985T		双把缸边式浴缸龙头-曲管型出水嘴
77986T		双把缸边式浴缸龙头-曲线型出水嘴
77987T		双把缸边式浴缸龙头-直杆型出水嘴
77990T-4		杆型把手
77990T-8	77990T-8MU	柱型把手
77990T-9		轮型把手
77963T-8A		推控式圆形把手

**安装之前**

所有的资料是按最新出版的产品资料编写而成。科勒公司保留任何时候不经通知即可改变产品特性、包装或产品可供类型的权利。

说明书包括重要的安装、保养及清洁方面的内容，请把这些资料交给用户阅读。

**注意事项：**

1. 一定要先彻底冲洗供水管以清除管道中的杂质。
2. 检查供水管有无损坏和漏水。如需要，进行替换和维修。
3. 遵守当地管路安装条例。
4. 尽可能在安装脸盆、浴缸之前安装水龙头。
5. 切断供水管路。

**使用说明**

对于77990T-4，顺时针旋转右把手为开，逆时针旋转左把手为开。

对于77990T-8/8MU/9，顺时针旋转左把手为开，逆时针旋转右把手为开。

对于77963T-8A，面对水龙头，轻轻向前推动把手打开龙头，向红标方向推动为热水，向蓝标方向推动为冷水。

**BEFORE YOU BEGIN**

All information is based on the latest product information available at the time of publication. Kohler Co. reserves the right to make changes in product characteristics, packaging, or availability at any time without notice.

Please leave these instructions for the consumer. They contain important information.

**NOTES:**

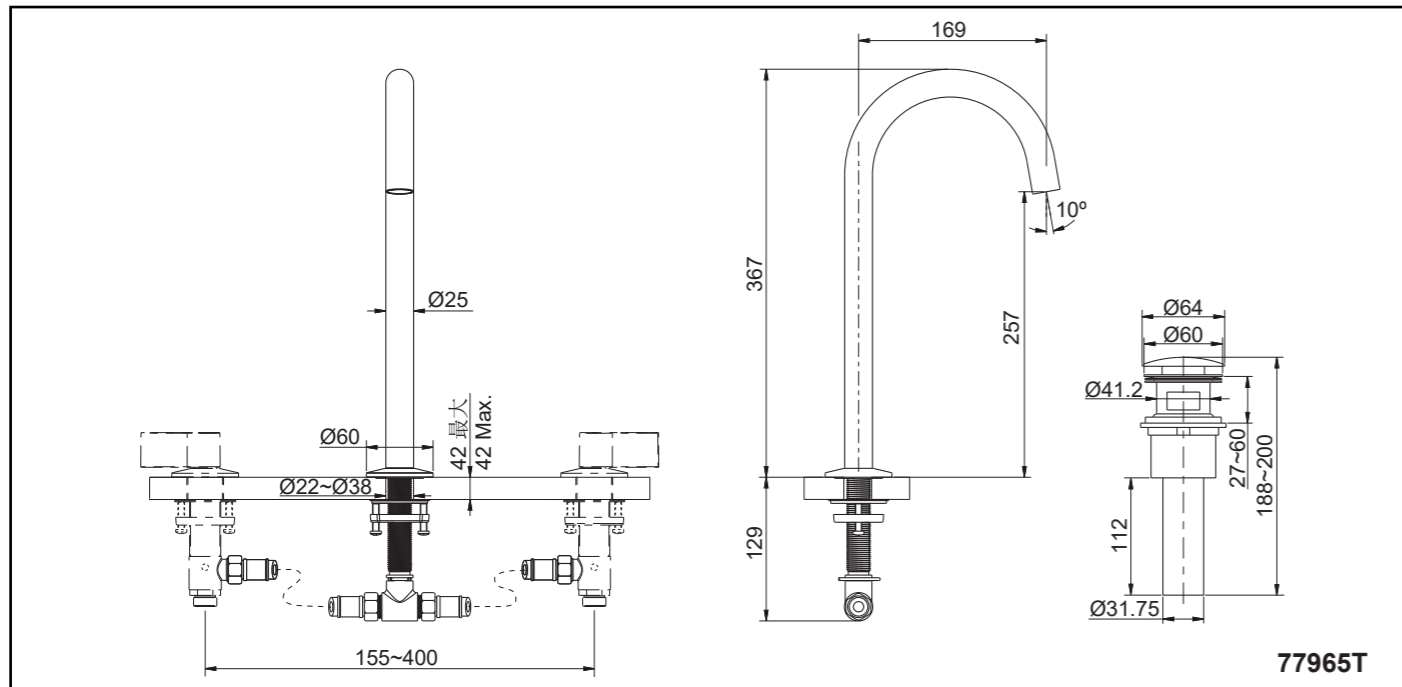
1. Flush the water supply pipes thoroughly to remove debris.
2. If possible, install this faucet before installing the lavatory or bath tub.
3. Inspect the supply tubing for damage and leakage. Replace and maintain as necessary.
4. Observe local plumbing codes.
5. Shut off the water supplies to the fitting.

**HANDLE OPERATION**

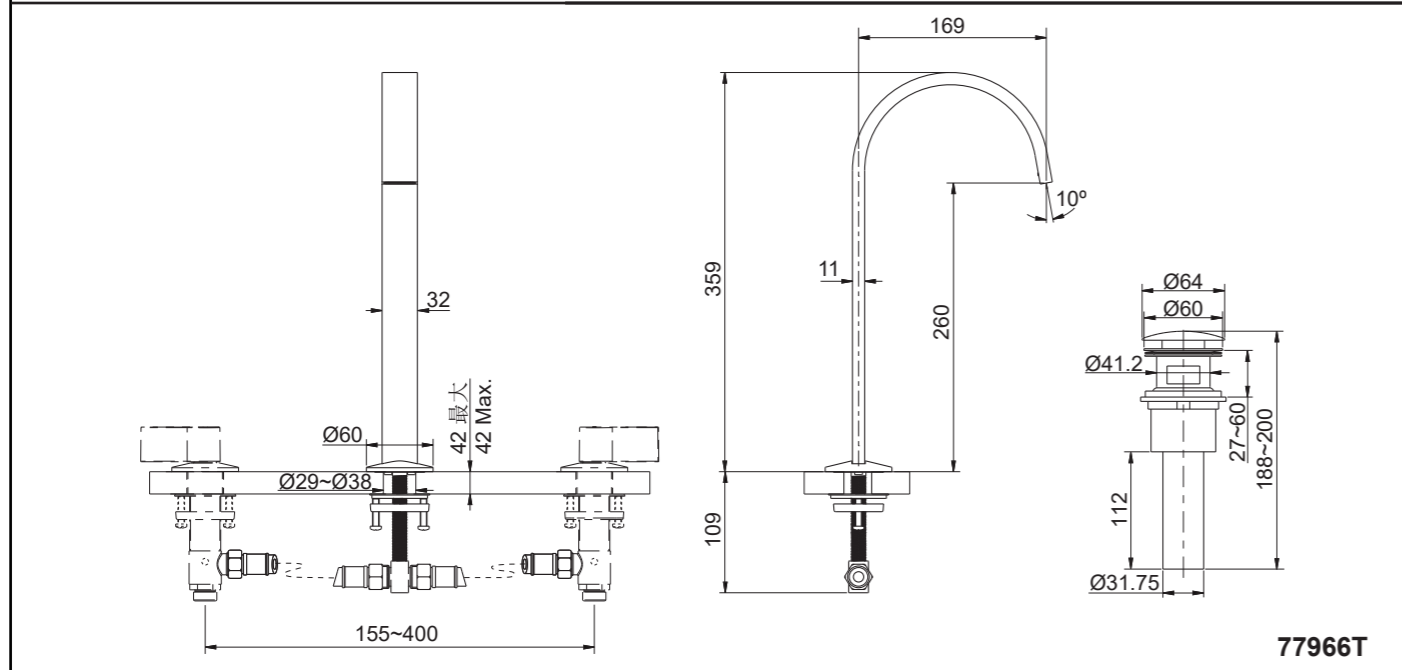
For 77990T-4, right handle open with turning clockwise, left handle open with turning counter-clockwise.

For 77990T-8/8MU/9, left handle open with turning clockwise, right handle open with turning counter-clockwise.

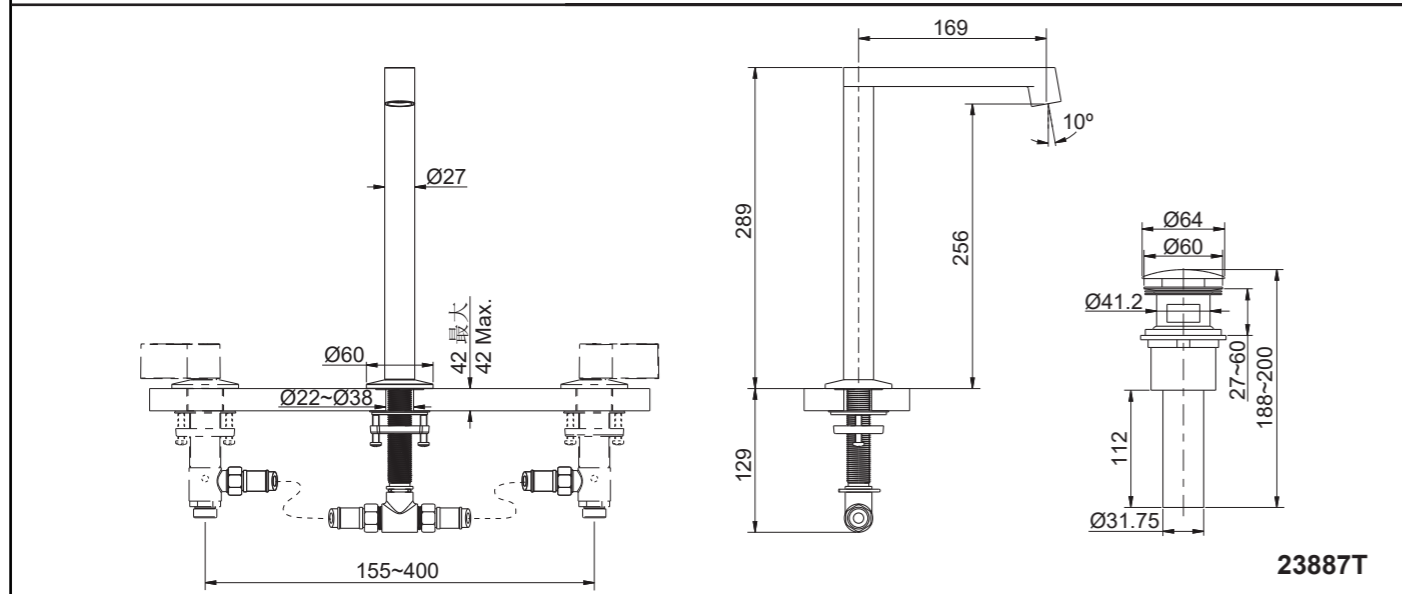
For 77963T-8A, When facing front of the faucet, gently push the handle forward to open the faucet, the direction of the red dot is for hot water and the blue dot is for cold water.



77965T



77966T



23887T

# KOHLER®

## SERVICE PARTS

### 零件图

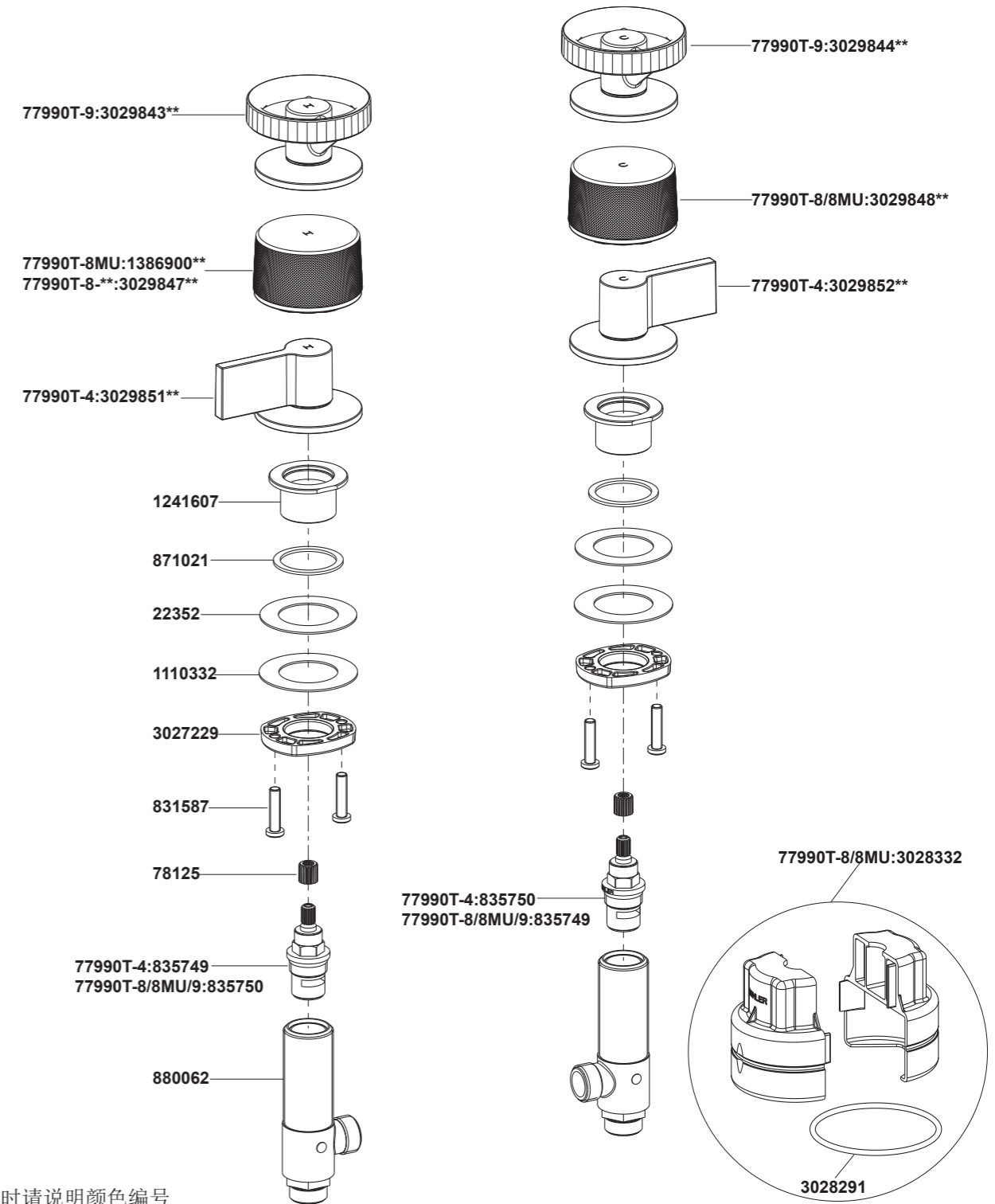
艺廷

# COMPONENTS

## Handles

77990T-4  
77990T-8/8MU  
77990T-9

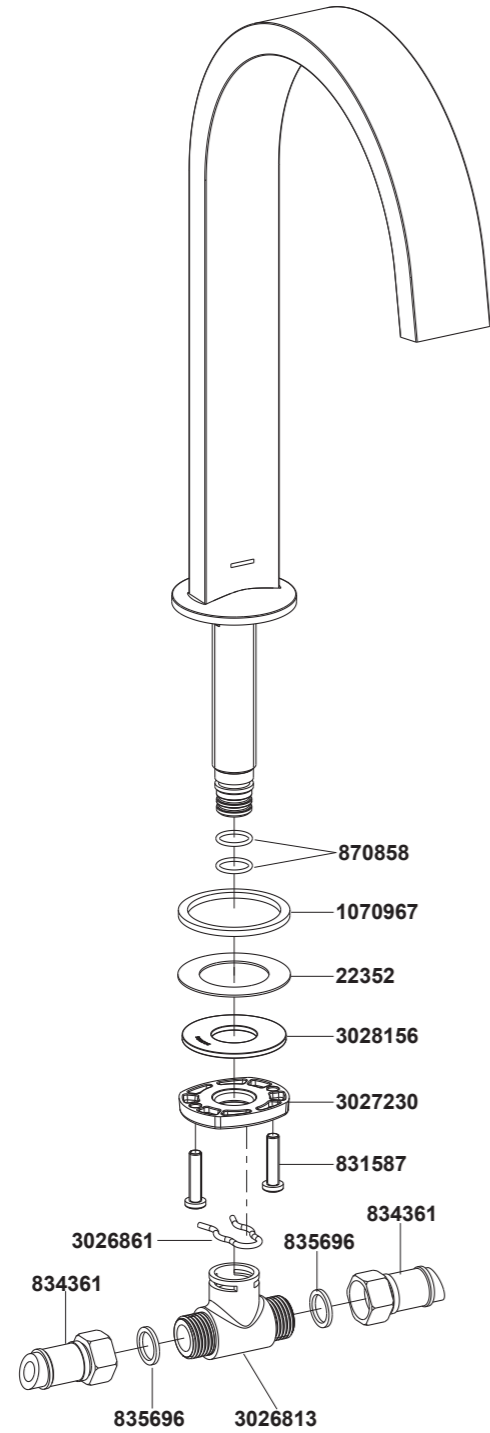
杆型把手  
柱型把手  
轮型把手



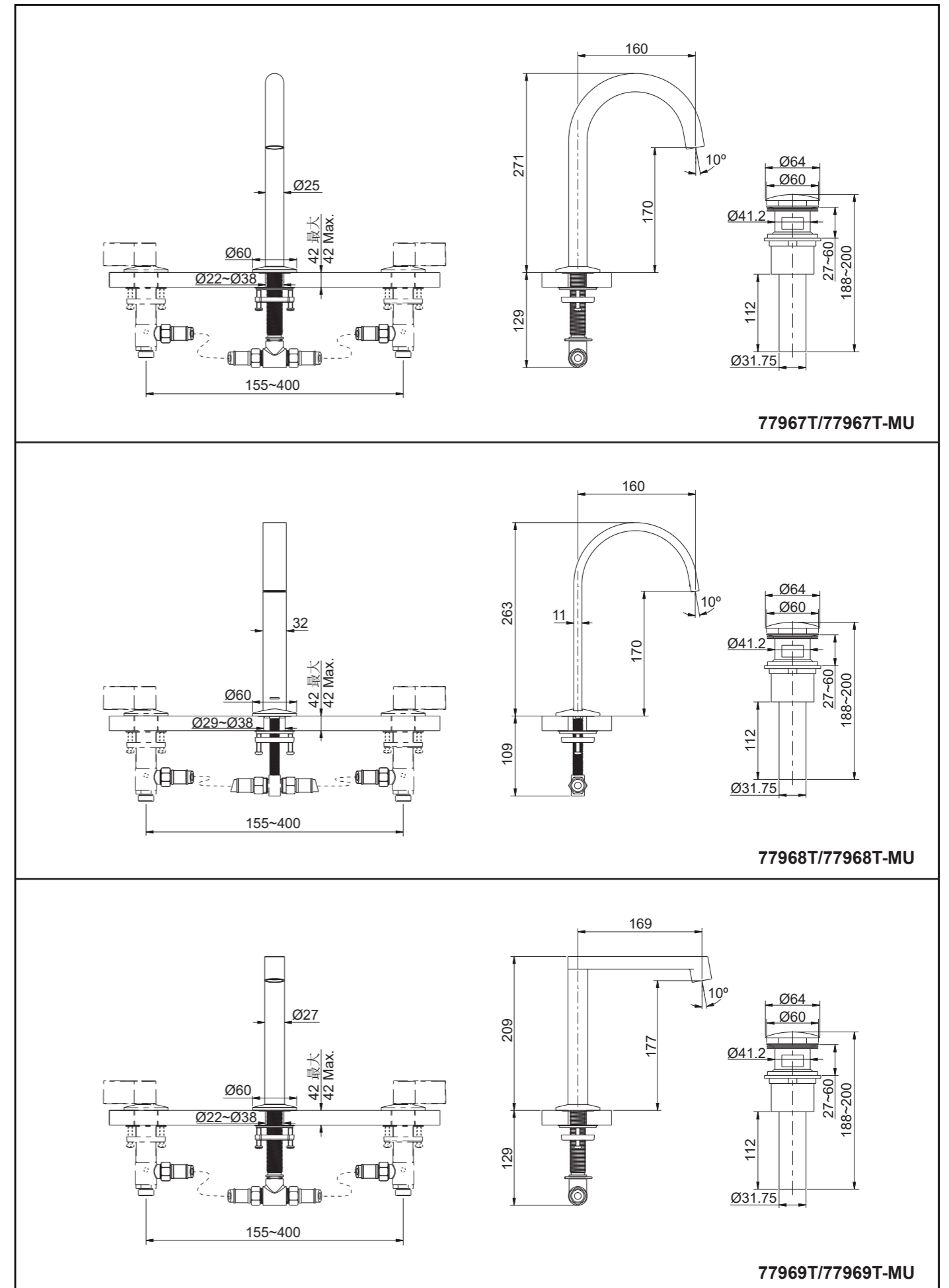
\*\*订购时请说明颜色编号

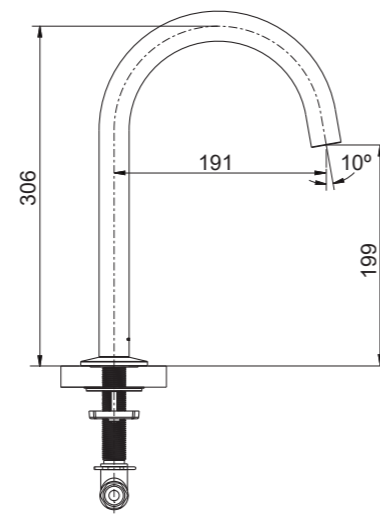
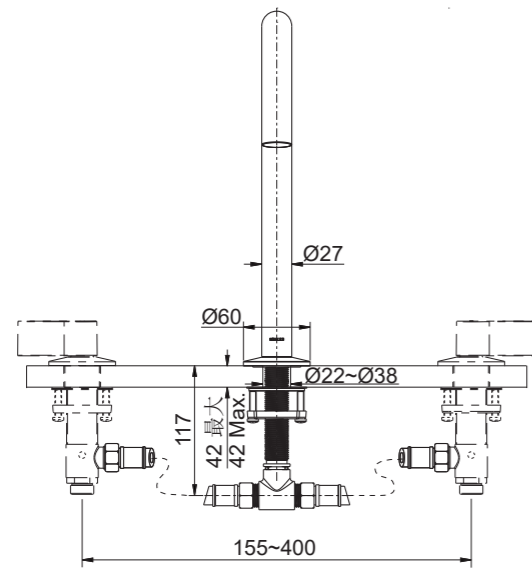
\*\*Color code must be specified when ordering

77986T 双把缸边式浴缸龙头-曲线型出水嘴

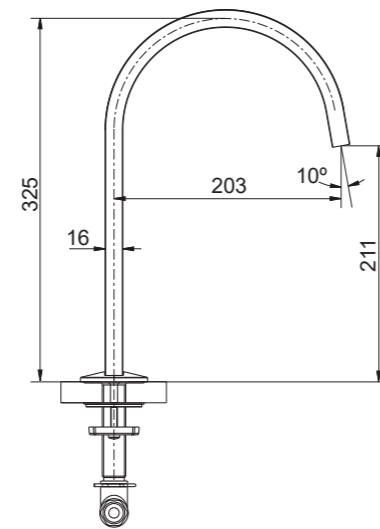
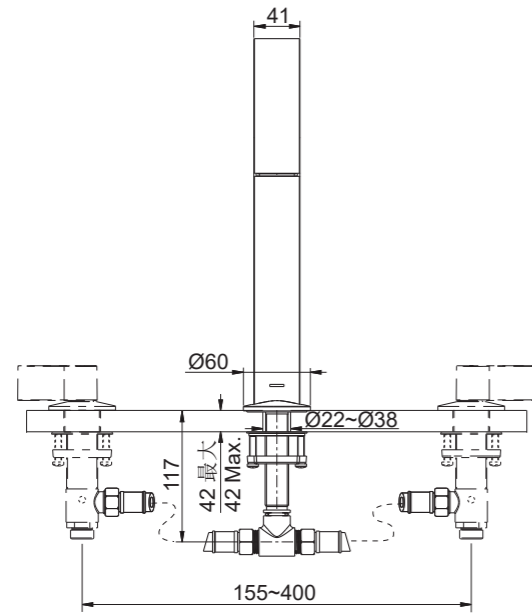


\*\*订购时请说明颜色编号  
\*\*Color code must be specified when ordering

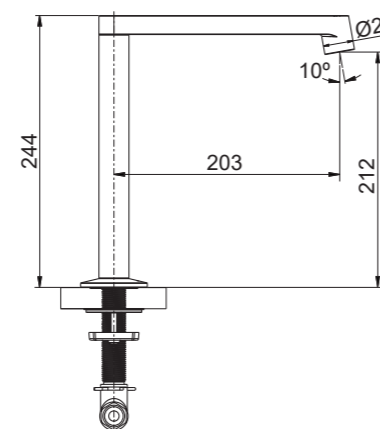
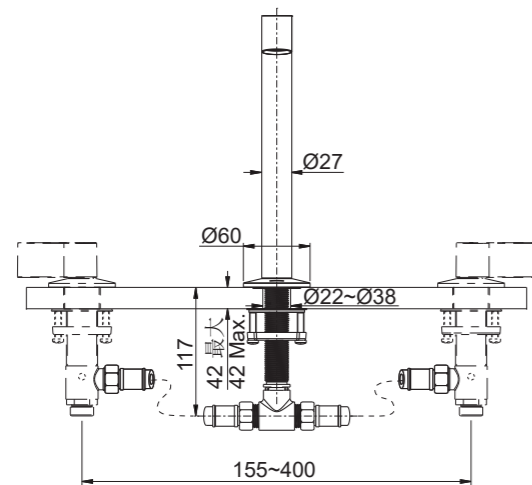




77985T



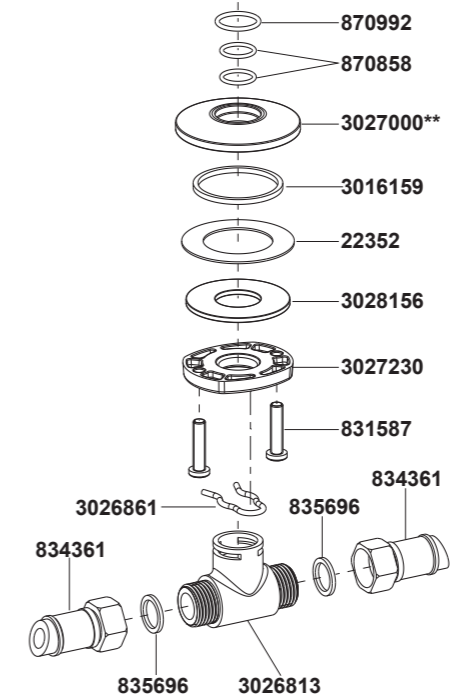
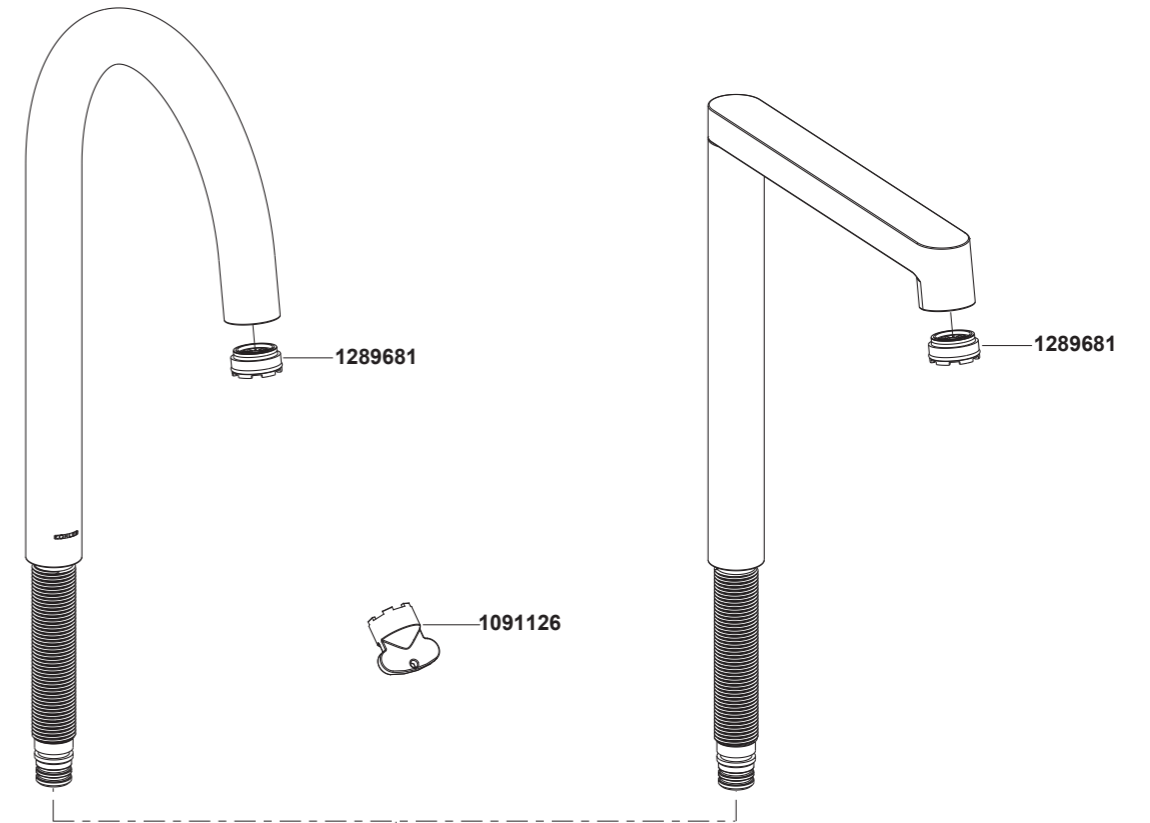
77986T



77987T

77985T 双把缸边式浴缸龙头-曲管型出水嘴

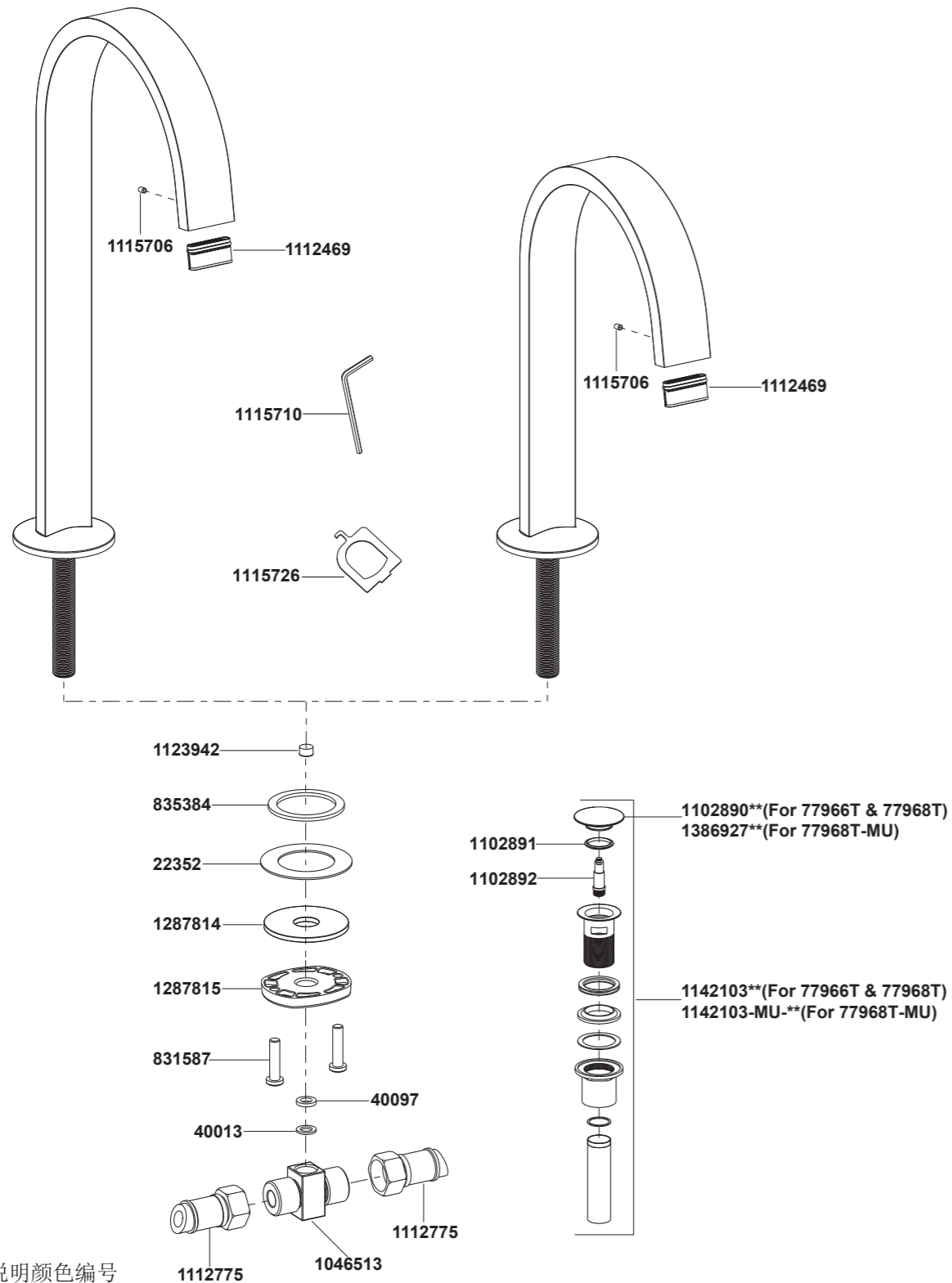
77987T 双把缸边式浴缸龙头-直杆型出水嘴



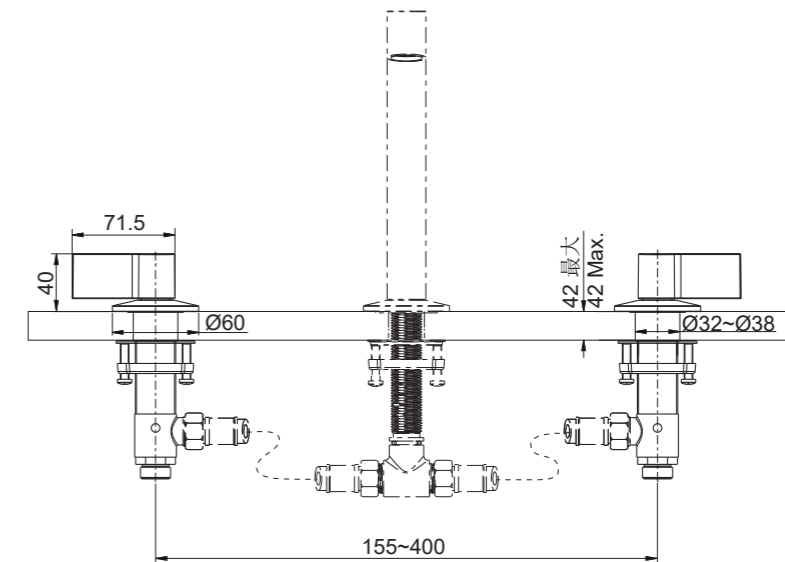
\*\*订购时请说明颜色编号

\*\*Color code must be specified when ordering

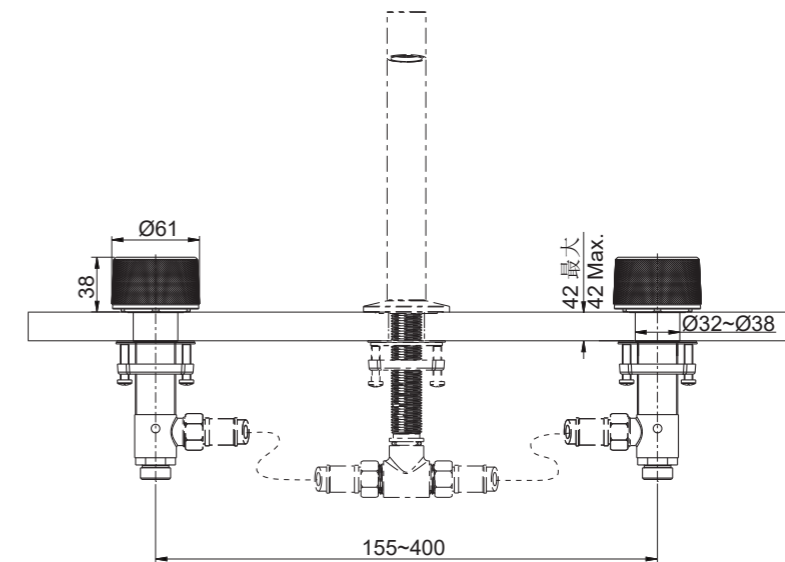
77966T 8寸脸盆龙头-曲线型高出水嘴  
 77968T 77968T-MU 8寸脸盆龙头-曲线型出水嘴



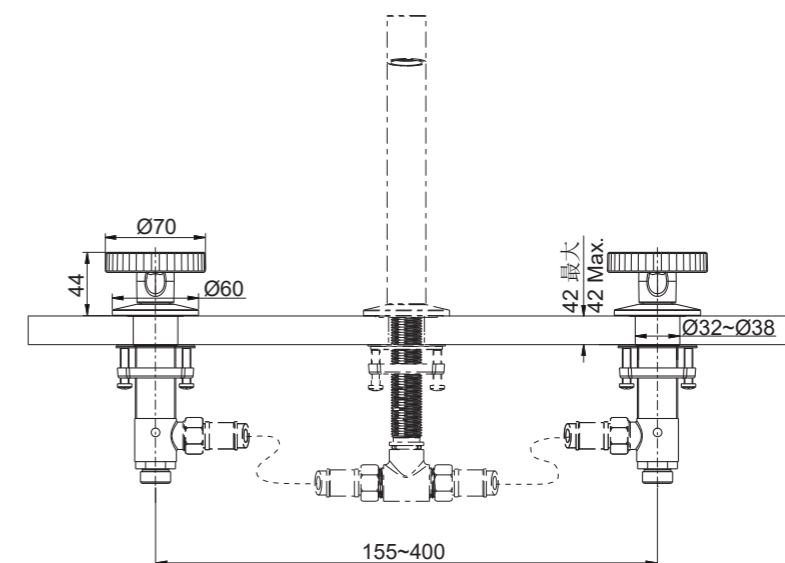
\*\*订购时请说明颜色编号  
 \*\*Color code must be specified when ordering



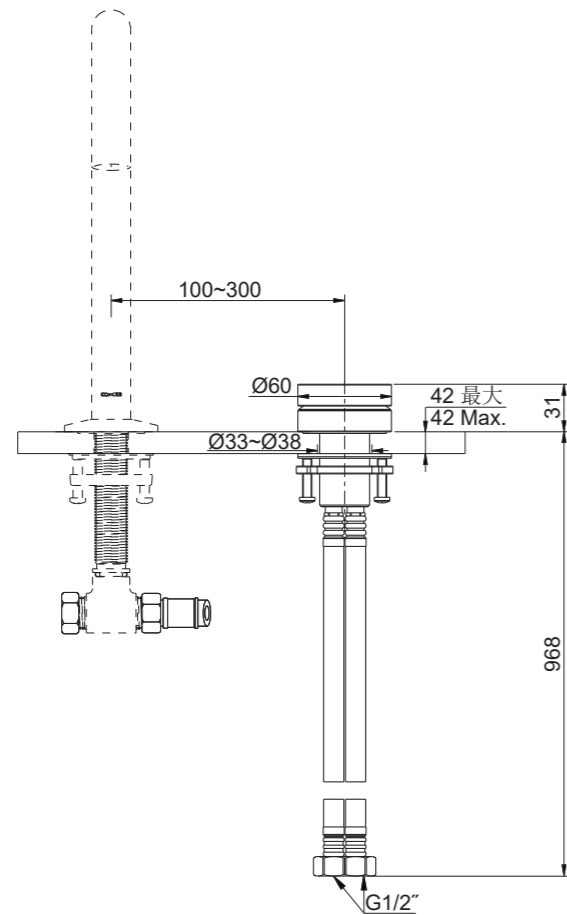
77990T-4



77990T-8/8MU



77990T-9



77963T-8A

### 安装步骤

#### 如何安装龙头出水嘴

仅对于77965T, 23887T, 77967T, 77967T-MU, 77969T, 77969T-MU, 77985T & 77987T

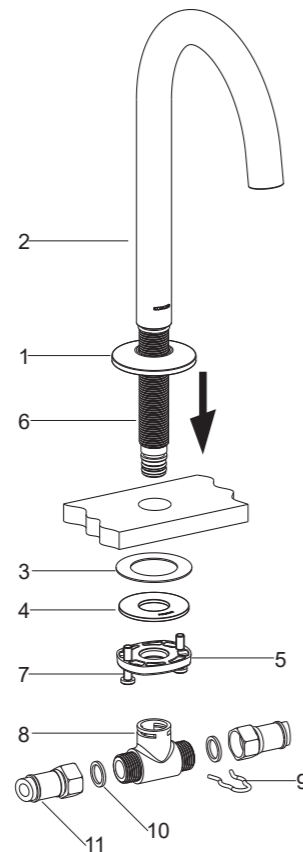
将装饰罩(1)套入出水嘴(2)底部, 将带有装饰罩的出水嘴组件插入脸盆或浴缸安装孔中。

从脸盆或浴缸下方依次将垫片(3)、钢垫(4)和安装环(5)装入牙管(6)。调整出水嘴位置。旋上安装环, 锁紧螺钉(7)以固定出水嘴组件。

将T型接头(8)装入牙管, 卡入卡簧(9)。

连接软管(11)到T型接头上, 软管另一端连接阀体出水口。对于77985T & 77987T, 需要将垫片(10)装到软管(11)的两端再连接。

对于77965T, 23887T, 77967T & 77969T, 可搭配把手77963T-8A, 这时两根软管(11)无需安装。



### INSTALLATION

#### How to Install the Spout

Only for 77965T, 23887T, 77967T, 77967T-MU, 77969T, 77969T-MU, 77985T & 77987T

Slide the escutcheon(1) into the bottom of the spout(2). Insert the spout kit into the mounting hole of the lavatory or bathtub with escutcheon.

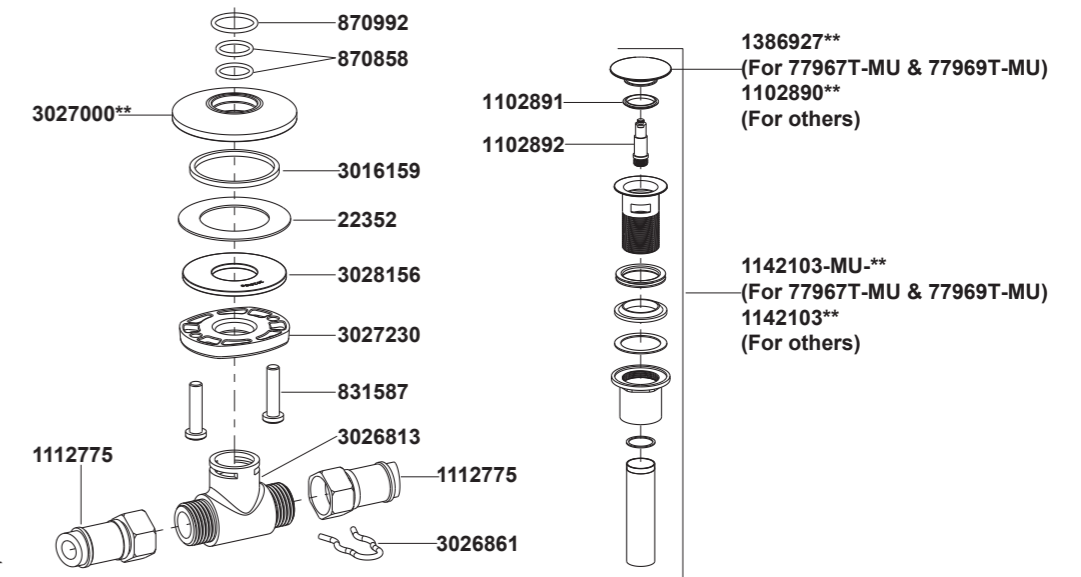
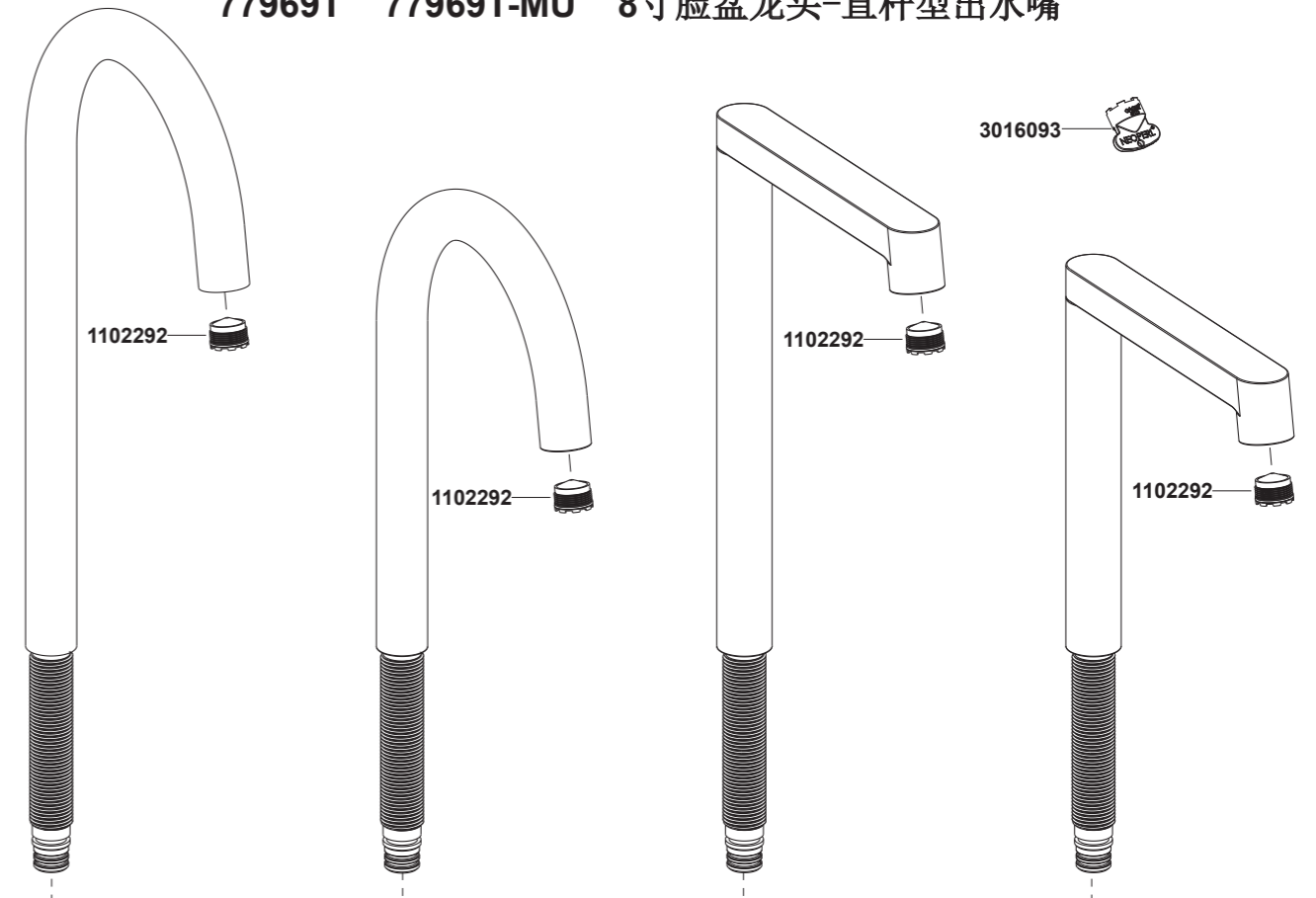
From underside of the lavatory or bathtub, place the washer(3), steel washer(4) and fixing ring(5) onto the shank(6). Position the faucet. Screw the fixing ring. Tighten the screws(7) to secure the spout.

Install the supply tee(8) to the shank and tighten by the hook(9).

Connect the hoses(11) and tee supply. The other end of the hoses should be connected to the side bodies. For 77985T & 77987T, put the washers(10) into each end of the hoses(11) firstly.

Only for 77965T, 23887T, 77967T & 77969T  
When used with 77963T-8A, the hoses(11) needn't to be installed.

- 77965T 8寸脸盆龙头-曲管型高出水嘴
- 77967T 77967T-MU 8寸脸盆龙头-曲管型出水嘴
- 23887T 8寸脸盆龙头-直杆型高出水嘴
- 77969T 77969T-MU 8寸脸盆龙头-直杆型出水嘴



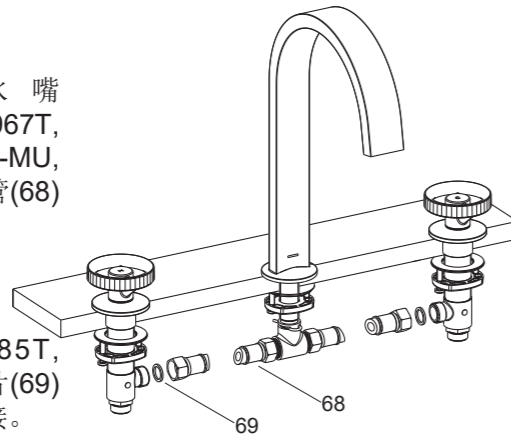
\*\*订购时请说明颜色编号

\*\*Color code must be specified when ordering

## 如何连接软管

对于脸盆龙头出水嘴 77965T, 77966T, 23887T, 77967T, 77967T-MU, 77968T, 77968T-MU, 77969T & 77969T-MU, 将软管(68)与阀体出水口相连接。

对于缸边式龙头出水嘴 77985T, 77986T & 77987T, 将带有垫片(69)的软管(68)与阀体出水口相连接。



## How to Connect the Hoses

For sink spout 77965T, 77966T, 23887T, 77967T, 77967T-MU, 77968T, 77968T-MU, 77969T & 77969T-MU connect the hoses (68) to the side bodies.

For bath spout 77985T, 77986T & 77987T, connect the hoses(68) to the side bodies with the washers(69).

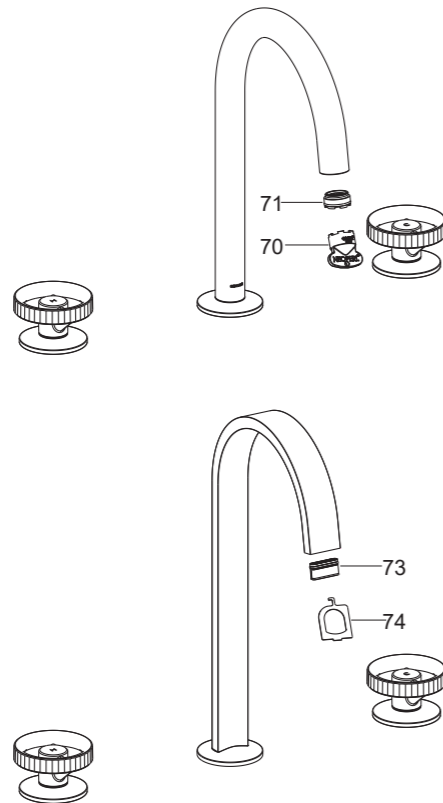
## 安装结果检查

检查并确保所有衔接处都已拧紧, 确保手柄在关闭位置。

打开主要供水源和排水系统, 检查并修理有漏水的接口。

对于77965T, 77967T, 77967T-MU, 23887T, 77969T, 77969T-MU, 77985T & 77987T, 用工具(70)拆下起泡器(71); 对于77966T, 77968T & 77968T-MU, 用工具(74)拆下起泡器(73)。打开龙头冷热水, 让水流出约一分钟以清除杂质, 检查渗漏。冲洗起泡器, 关闭水龙头, 重新装回起泡器。

对于77986T, 打开龙头冷热水, 让水流出约一分钟以清除杂质, 检查渗漏, 关闭水龙头。



## INSTALLATION CHECKOUT

Ensure that all coupling nuts are tight. Ensure that the handles are in the off position.

Turn on the main water supply and drain, and check for leaks. Repair as needed.

For 77965T, 77967T, 77967T-MU, 23887T, 77969T, 77969T-MU, 77985T & 77987T, remove the aerator(71) by key(70); For 77966T, 77968T & 77968T-MU, remove the aerator(73) by key(74). Run hot and cold water through faucet for about one minute to remove any debris. Check for leaks. Repair as needed. Remove any debris from the aerator. Shut off the faucet. Reinstall the aerator.

For 77986T, run hot and cold water through faucet for about one minute to remove any debris. Check for leaks. Repair as needed. Shut off the faucet.

## 清洗说明

适用于所有加工处理过的表面: 以中性肥皂水清洗镀层表面, 再以干净的软布彻底擦干整个表面, 许多清洁剂, 比如氨水、去污粉及洁厕灵等, 会对电镀表面造成伤害, 切忌使用。

有磨损性的清洁用具或清洁剂也不可适用于科勒牌的水龙头及其配件上。

## CLEANING INSTRUCTIONS

All Finishes: Clean the finish with mild soap and warm water. Wipe entire surface completely dry with clean soft cloth. Many cleaners may contain chemicals, such as ammonia, chlorine, toilet cleaner etc. which could adversely affect the finish and are not recommended for cleaning.

Do not use abrasive cleaners or solvents on Kohler faucets and fittings.

## 仅对于77966T, 77968T, 77968T-MU

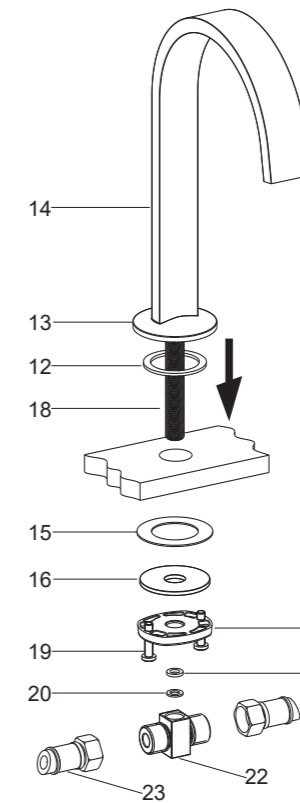
将垫片(12)装入装饰罩(13)底部凹槽中, 将带有垫片的出水嘴组件(14)插入脸盆安装孔中。

从脸盆下方依次将垫片(15)、钢垫(16)和安装环(17)装入牙管(18)。调整出水嘴位置。旋上安装环, 锁紧螺钉(19)以固定出水嘴组件。

依次将塑料垫圈(20)、橡胶垫片(21)放入到T型接头(22)内, 然后将T型接头旋到牙管并拧紧。

软管(23)装到T型接头上, 软管另一端用于连接阀体出水口。

搭配把手77963T-8A时, 两根软管(23)无需安装。



## For 77966T, 77968T, 77968T-MU

Put the washer(12) into the groove of the escutcheon(13). Insert the spout kit(14) into the mounting hole of the lavatory with washer.

From underside of the lavatory, place the washer(15), steel washer(16) and fixing ring(17) onto the shank(18). Position the faucet. Screw the fixing ring. Tighten the screws(19) to secure the spout.

Put the plastic washer(20), rubber gasket (21) into the supply tee(22). Thread supply tee to the shank.

Connect the hoses(23) and supply tee. The other end of the hoses should be connected to the side bodies.

When used with 77963T-8A, the hoses (23) needn't to be installed.

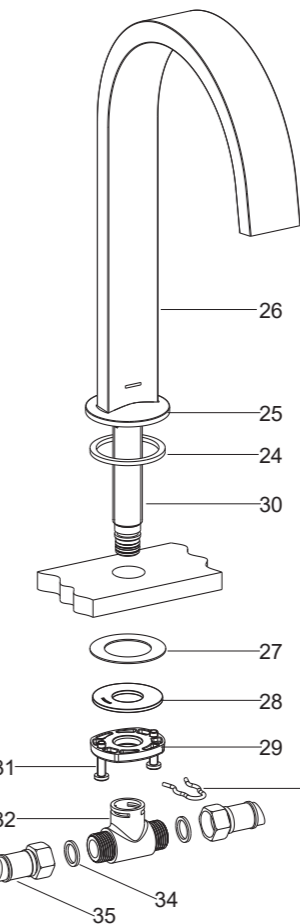
## 仅对于77986T

将垫片(24)装入装饰罩(25)底部凹槽中, 将带有垫片的出水嘴组件(26)插入浴缸安装孔中。

从浴缸下方依次将垫片(27)、钢垫(28)和安装环(29)装入牙管(30)。调整出水嘴位置。旋上安装环, 锁紧螺钉(31)以固定出水嘴组件。

将T型接头(32)装入牙管, 卡入卡簧(33)。

将垫片(34)装到软管(35)的两端。连接软管到T型接头上, 软管另一端连接阀体出水口。



## For 77986T

Put the washer(24) into the groove of the escutcheon(25). Insert the spout kit(26) into the mounting hole of the bathtub with washer .

From underside of the bathtub, place the washer(27), steel washer(28) and fixing ring(29) onto the shank(30). Position the faucet. Screw the fixing ring. Tighten the screws(31) to secure the spout.

Install the supply tee(32) to the shank and tighten by the hook(33).

Put the washers(34) into each end of the hoses(35). Connect the hoses and tee supply. The other end of the hoses should be connected to the side bodies.

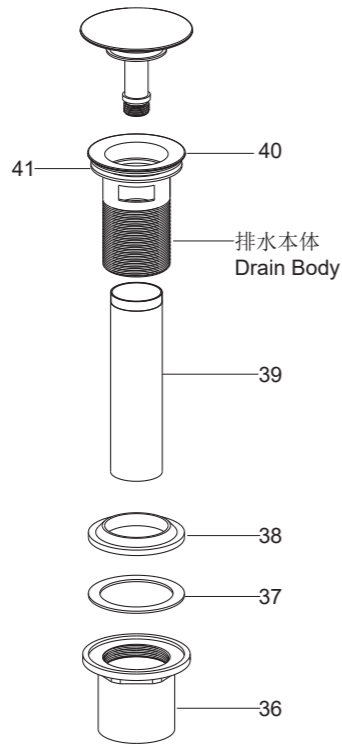
### 如何安装排水器

仅对于77965T, 77966T, 23887T, 77967T, 77967T-MU, 77968T, 77968T-MU, 77969T & 77969T-MU

把锁紧螺母(36)、塑料垫片(37)、橡胶垫圈(38)和尾管(39)从排水本体依次取下。在尾管螺纹处须缠绕足以密封的密封胶或涂合适的密封胶，并装回排水本体。把排水本体从脸盆上部孔插入。再依次将橡胶垫圈(小面朝上)、塑料垫片和锁紧螺母从脸盆下方装回到排水本体上。锁紧螺母。

**注意：**如果需要，可直接在法兰盘(40)底面沿周围涂一圈密封油灰或其它密封剂，而不使用橡胶垫片(41)。

在锁紧螺母拧紧后，不可调整排水本体的位置，否则会破坏油灰或密封剂密封。



### How to Install the Drain

Only for 77965T, 77966T, 23887T, 77967T, 77967T-MU, 77968T, 77968T-MU, 77969T & 77969T-MU

Remove the locknut(36), plastic washer (37), rubber gasket(38) and tailpiece(39) from the drain body. Supply enough tape or sealant to tailpiece thread. Reinstall the tailpiece. Insert the drain body into the lavatory. Install the rubber gasket(Tapered side up), plastic washer and locknut back to the drain body in turn. Tighten the locknut.

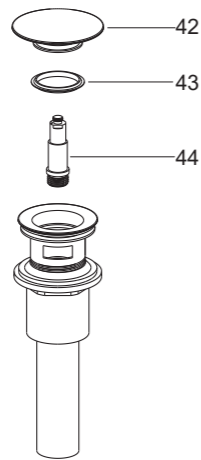
**NOTE:** If needed, apply a ring of plumbers putty or other sealants around the underside of the drain flange(40), instead of using rubber washer(41).

Do not reposition the drain after the locknut is tightened, or you may break the putty or sealant seal.

### 如何更换止水垫及活塞组件

仅对于77965T, 77966T, 23887T, 77967T, 77967T-MU, 77968T, 77968T-MU, 77969T & 77969T-MU

逆时针旋下止水塞(42)，然后取出止水垫(43)。更换新的止水垫。逆时针旋下活塞组件(44)，更换新的活塞组件。装回止水垫及止水塞。



### Replacing the Washer and Piston Kit

Only for 77965T, 77966T, 23887T, 77967T, 77967T-MU, 77968T, 77968T-MU, 77969T & 77969T-MU

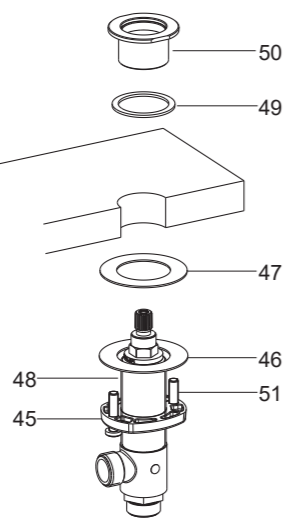
Turn counter-clockwise to remove the stopper(42). Take out washer(43). Replace with a new one. Turn counter-clockwise to remove the piston kit(44). Replace with a new one. Reinstall the stopper and washer.

### 如何安装把手组件 (77990T)

依次将安装环(45)、钢垫(46)和垫片(47)装在阀体组件(48)上。

从台面下方将阀体组件装入安装孔(注：带红色标志的阀体组件装在左侧)。将垫片(49)装到底座螺母(50)底部凹槽中，将底座螺母旋到阀体组件上。

根据软管安装需要，适当调整阀体出水口朝向。拧紧螺钉(51)以固定安装环。



### How to Install the Handle Kit (77990T)

Put the threaded rings(45), steel washers (46) and washers(47) onto the side bodies(48).

Insert the side bodies into the mounting holes from underside. **NOTE:** The side body with red mark should be installed on the left. Put the washers(49) into the groove of the nuts(50). Thread the nuts onto the side bodies.

Adjust the outlet of side bodies to connect hoses easily. Secure the threaded rings by tightening screws(51).

确保阀芯和把手组件处于关闭位置

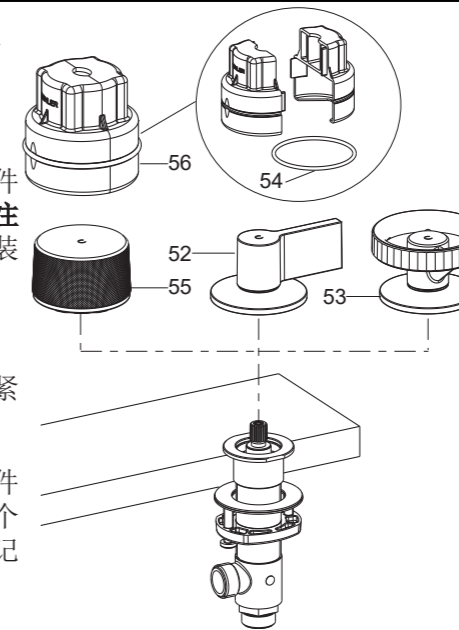
### 对于77990T-4/9

分别将77990T-4/9的把手组件(52, 53)旋紧到底座螺母(50)上。**注意：**带“H”标记的把手组件安装在左侧。

### 对于77990T-8/8MU

用把手工具(56)将把手组件(55)旋紧到底座螺母(50)上。

如图所示，将把手工具从把手组件拆下：先取出O型圈(54)，再将两个塑料件分开。**注意：**带“H”标记的把手组件安装在左侧。



Ensure the valves and handle kits are in the off position.

### For 77990T-4/9

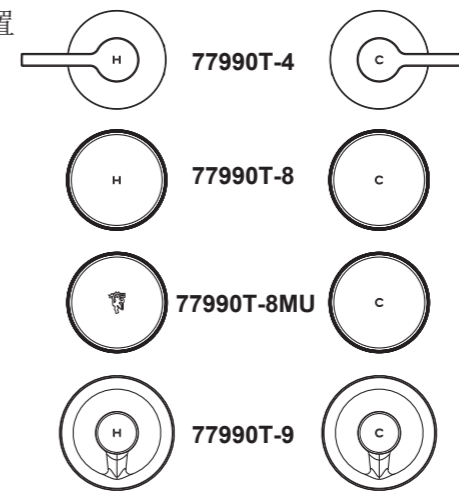
Screw the handle kits(52, 53) onto the nuts(50). **NOTE:** The handle kit with “H” should be installed on the left.

### For 77990T-8/8MU

Screw the handle kit(55) onto the nut (50) with handle wrench(56).

Uninstall the handle wrench. Remove the O-ring(54), separate it into two parts as shown. **NOTE:** The handle kit with “H” should be installed on the left.

把手安装完毕处于关闭状态的位置如图所示。



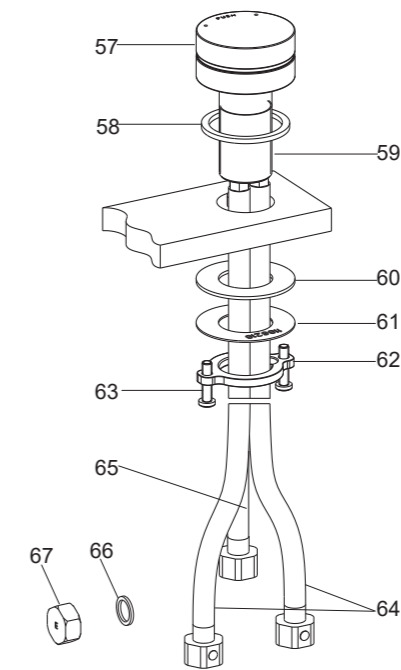
The figure shown is the correct position of the handles in the closed position.

### 如何安装把手组件 (77963T-8A)

将垫片(58)装入把手组件(57)底部凹槽中，将带有垫片的把手组件插入台面安装孔中，调整把手，使把手上的红点在左边，蓝点在右边。

从台面下方依次将垫片(60)、垫片(61)和安装环(62)装入本体(59)，旋上安装环，锁紧螺钉(63)以固定把手组件。

将贴有红蓝点标签的两根软管(64)接到水源，带有红点标签的软管接热水，带有蓝点标签的软管接冷水。将另一根软管(65)连接出水嘴的T型接头，T型接头另一端装上带有垫片(66)的堵头(67)。



### How to Install the Handle Kit (77963T-8A)

Install the washer(58) into the groove of the handle kit (57). Insert the handle kit with washer to the mounting hole. Adjust the handle. Ensure the handle with red dot is on the left side and blue dot on the right side.

From underside, slide the washer(60), washer(61) and threaded ring(62) to the body(59). Screw the threaded ring. Tighten the screws(63) to secure the handle kit.

Attach the two hoses(64) to water supplies. Ensure the hose with red label should be connected to hot water, the hose with blue label should be connected to cold water. Connect another hose(65) and tee supply. Install the plug(67) with washer(66) to other end of tee supply.